



# Giant Air Breathers - Style SGB90C Series

## Specifications

- 10 Micron Nominal Cellulose Element
- Compatible with Petroleum and Mineral Based Fluids
- Air Flow Rates of 40 cfm

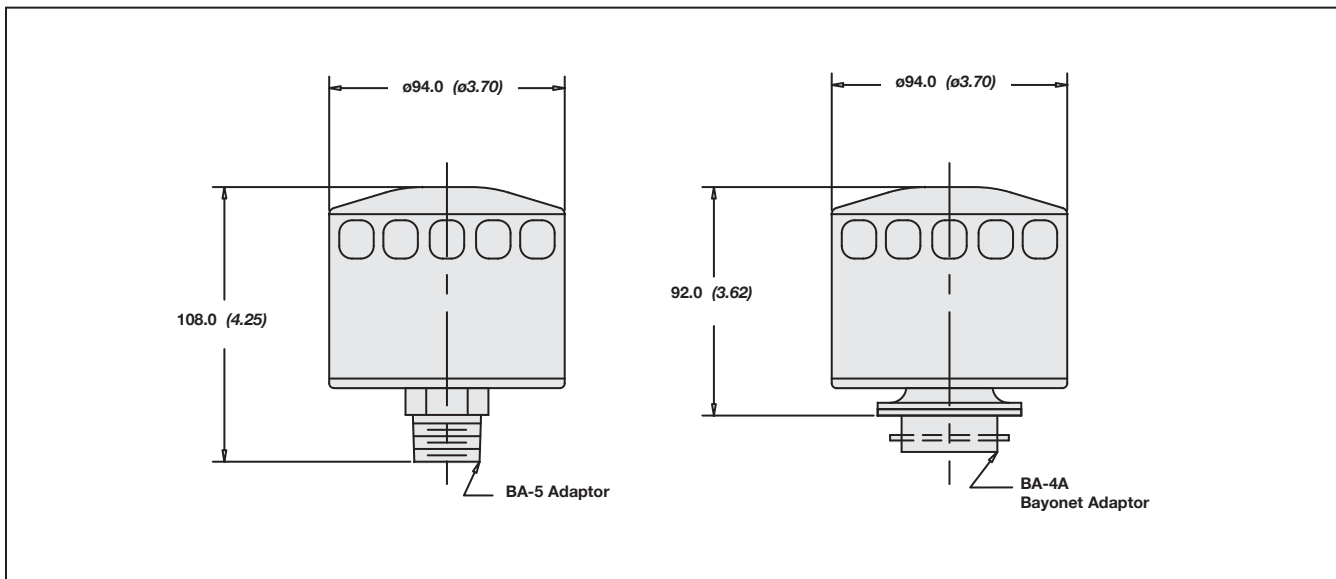
## Options

- 3/4" NPT Connector (BA-5)
- Bayonet Adaptor (BA-4A)



## Dimensions

Dimensions in mm (inch)



## Specifications

Part Number	Absolute Micron Rating	Air flow Capacity		Air Displacement		Filtration Area	
		cfm	m <sup>3</sup> /min	gpm	lpm	Sq in	Sq cm
SGB90-10P	10 (NOMINAL)	40	1.13	300	1135	109	700

## Ordering Information

**SGB90C - 10P - BA4A - BB - S80**

Assemblies

Product Type	
SGB90C	Filler Breather Assembly

Filtration Type	
10P	10 Micron Nominal Cellulose

Adaptors	
BA5	BA-5A Threaded 3/4" NPT
BA4A	BA-4A Bayonet

Basket Options	
S80	80 mm (3.15 in) Stainless Steel
S150	150 mm (5.9 in) Stainless Steel
S200	200 mm (7.87 in) Stainless Steel

Bayonet Options	
OMIT	None
BB	Standard Bayonet
B1	Extended Bayonet 38.5mm (1.5 in)
B2	Extended Bayonet 69 mm (2.72 in)

Assembly includes screws and gaskets

Replacement Elements (only)

Product Type	
SGB90-10P	10 Micron Nominal Cellulose

ACCESSORIES

## Specifications

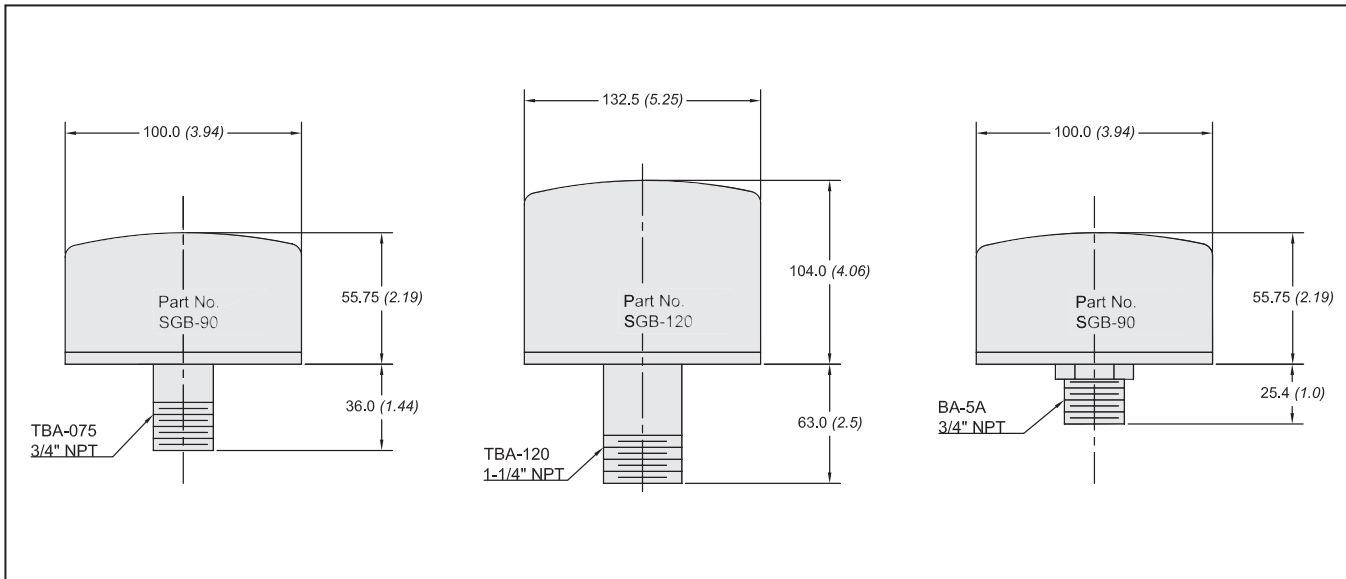
- 3 Micron Absolute Synthetic Media Filtration Element
- Compatible with Petroleum and Mineral Based Fluids
- Air Flow Rates of 18 cfm for SGB-90C and of 55 cfm for SGB-120C

## Options

- SGB-90C, 3/4" NPT Connector
- SGB-120C, 1 1/4" NPT Connector



## Dimensions



Dimensions in mm (inch)

## Specifications

Part Number	Absolute Micron Rating	Air Flow Capacity		Air Displacement		Filtration Area	
		cfm	m <sup>3</sup> /min	gpm	lpm	Sq in	Sq cm
SGB-90C	3	18	0.51	135	511	109	700
SGB-120C	3	55	1.56	395	1495	279	1800

## Ordering Information

**SGB90C - 03 - BA5A**

### Assemblies

Product Type	
SGB90C	Filler Breather Assembly (Includes Adaptor Fitting)
SGB120C	Filler Breather Assembly (Includes Adaptor Fitting)

Adaptors	
Omit	Steel Adaptor TBA-075 for SGB90C, 3/4" NPT TBA-120 for SGB120C, 1-1/4" NPT
BA-5A	BA-5A Nylon Adaptor, 3/4" NPT (For SGB90C only)

Filtration Type	
03	3 Micron Glass Fiber

### Replacement Elements (only)

Product Type	
SGB90-03-B	3 Micron Glass Fiber
SGB120-03-B	3 Micron Glass Fiber