

Area of Application:

Ventilation and tank filling

Materials:

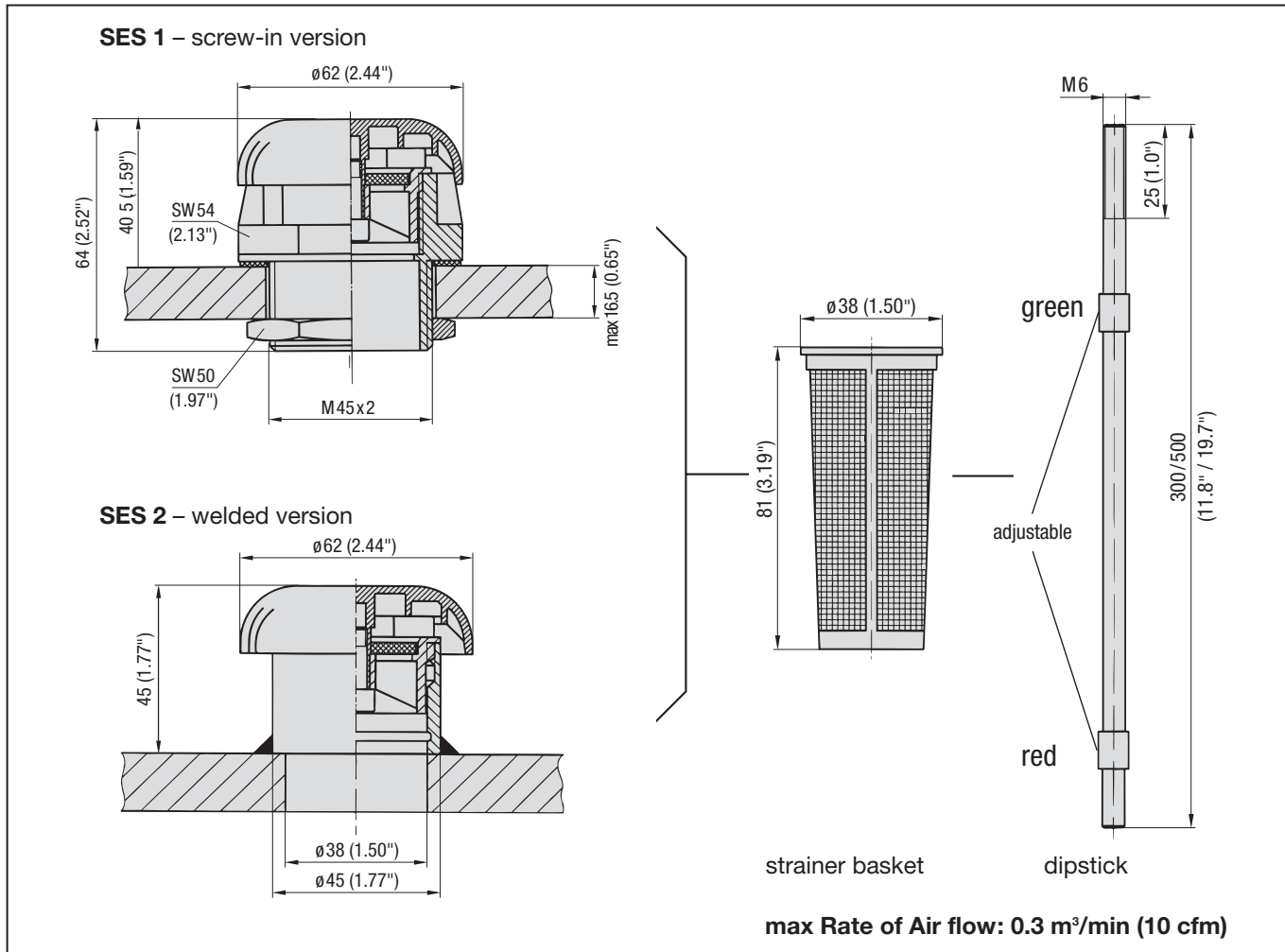
- Breather cap: PA
- Plastic stud: PA
- Socket: Steel (1.0718)
- Nut: Steel (1.0718); PA available on request
- Air filter insert: Sintered bronze; Rating 45 µm
- Basket PA; micron rating 300 µm
- Dipstick: Steel (9SMnPb28)
- Seals: NBR



Combinations with basket or dipstick.

Dimensions

Dimensions in mm (inch)



ACCESSORIES

Ordering Code

SES 1 - M300

Type	
SES	Filler Breather

Execution	
1	screw-in version
2	welded version

Accessories	
(none)	no accessory
S	Basket, 81 mm
M300	Dipstick, 300 mm
M500	Dipstick, 500 mm