



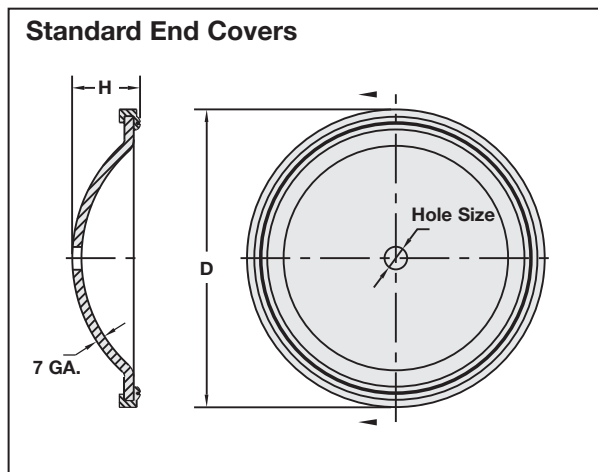
Reservoir End Covers EC Series

Specifications

- 7 Gauge Steel Pickled and Oiled
- No Leak, Molded, One Piece Buna-N Double Lip Gasket
- Supplied with Nylon Crush Washer and Gasket
- EC-6 Supplied with Back Mounting Bracket

Options

- Available with 3/4" Drain (Excludes EC-6)
- End Cover Mounting Brackets Available for EC-10 to EC-18 inclusive
- Baffle Adaptor Available
- Stainless Steel Available upon Request



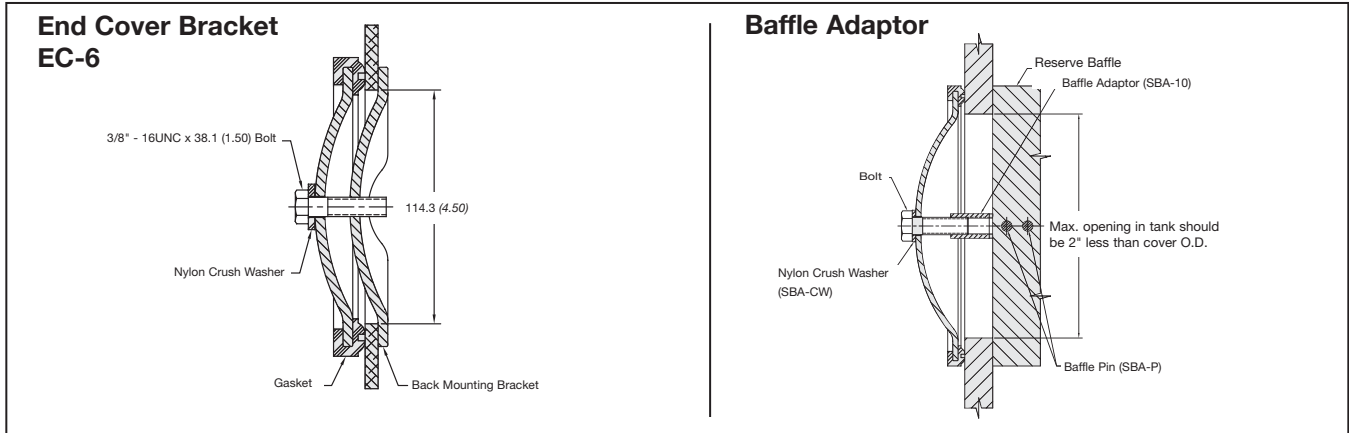
Seal Kit (Contains double lip buna seal and nylon crush washer)

Part Number	Description
EC-10-SK	Seal and washer for EC-10/EC-10D
EC-12-SK	Seal and washer for EC-12/EC-12D
EC-14-SK	Seal and washer for EC-14/EC-14D
EC-16-SK	Seal and washer for EC-16
EC-18-SK	Seal and washer for EC-18/EC-18D

Standard End Covers

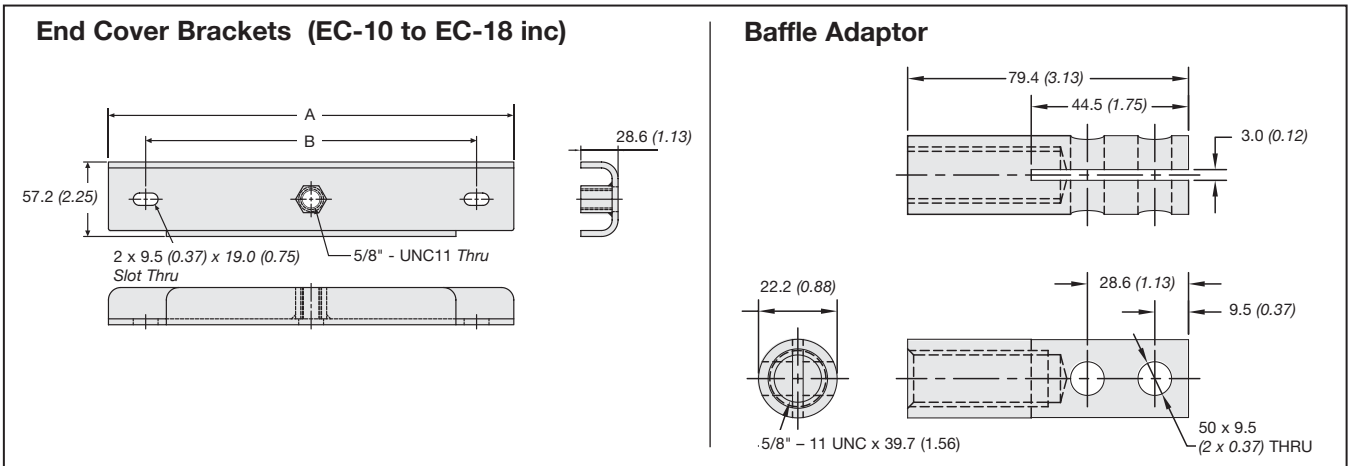
Plain End Cover Kit Part Number	End Cover w/Drain Hole Part Number	Diameter D		H		Hole Size		Weight	
		mm	in	mm	in	mm	in	kg	lb
EC-6	—	146	5.75	33	1.312	11.1	.438	1.2	2.5 lbs.
EC-10	EC-10D	254	10	44.5	1.75	17.4	.687	2.1	4.5 lbs.
EC-12	EC-12D	308	12.125	44.5	1.75	17.4	.687	3.0	6.5 lbs.
EC-14	EC-14D	359	14.125	44.5	1.75	17.4	.687	3.9	8.5 lbs.
EC-16	—	410	16.125	44.5	1.75	17.4	.687	4.8	10.5 lbs.
EC-18	EC-18D	460	18.125	51	2.00	17.4	.687	6.2	13.5 lbs.

Mounting Arrangements



Part Number	Description	
SBAB-10	Mounting Bolt for EC-10 & EC-12	5/8" - 11 x 1 1/2"
SBAB-14	Mounting Bolt for EC-14	5/8" - 11 x 2"
SBAB-18	Mounting Bolt for EC-18	5/8" - 11 x 2 1/2"
SBA-10	Baffle Adaptor	
SBA-P	Baffle Pin	
SBA-CW	Nylon Crush Washer	

Dimensions in mm (inch)



End Cover Brackets (Required when baffle adaptor is not used; includes bracket and 2 weld on clips)

Part Number	End Cover Diameter	Access Hole Diameter	A		B		Bolt Size Required	Weight	
			mm	in	mm	in		kg	lb
SBR - 10	10"	8"	305	12	254	10	5/8"-11 x 2 1/2"	1.2	2.5 lbs.
SBR - 12	12"	10"	356	14	305	12	5/8"-11 x 2 1/2"	1.4	3 lbs.
SBR - 14	14"	12"	413	16.25	362	14.25	5/8"-11 x 2 1/2"	1.4	3 lbs.
SBR - 16	16"	14"	464	18.25	413	16.25	5/8"-11 x 2 1/2"	1.8	4 lbs.
SBR - 18	18"	16"	514	20.25	464	18.25	5/8"-11 x 2 3/4"	1.8	4 lbs.