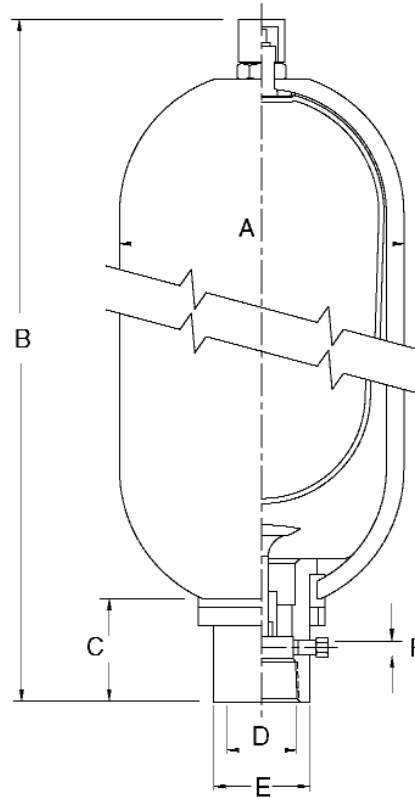


5000 PSI / 345 Bar Bottom Repairable



Installation Note:
Leave approximately 8" (200mm) for installation of gas charging valve.

Nominal Capacity Gallons (Liters)	Gas Volume in ³ (cm ³)	Maximum Working Pressure PSI (bar)	Dimensions										Net Weight	
			A		B		C		D SAE	E		F SAE	Kg.	Lbs.
			mm	in	mm	in	mm	in		mm	in			
1.0 * (4.0)	226 (3845)	5000 (345)	181	7.14	438	17.25	83	3.25	SAE-20 (1-5/8" - 12)	57	2.25	SAE-6 (9/16 - 18)	23	50
2.5 (10)	555 (9620)	5000 (345)	246	9.75	579	22.75	99	3.88	SAE-24 (1-7/8" - 12)	76	3.00	SAE-6 (9/16 - 18)	57	125
5.0 (20)	1095 (19480)	5000 (345)	246	9.75	883	34.75	99	3.88	SAE-24 (1-7/8" - 12)	76	3.00	SAE-6 (9/16 - 18)	91	200
10 (40)	2080 (36560)	5000 (345)	246	9.75	1430	56.25	99	3.88	SAE-24 (1-7/8" - 12)	76	3.00	SAE-6 (9/16 - 18)	159	350
15 * (60)	3460 (56396)	5000 (345)	246	9.75	2000	78.75	99	3.88	SAE-24 (1-7/8" - 12)	76	3.00	SAE-6 (9/16 - 18)	227	500

* Consult factory for availability.