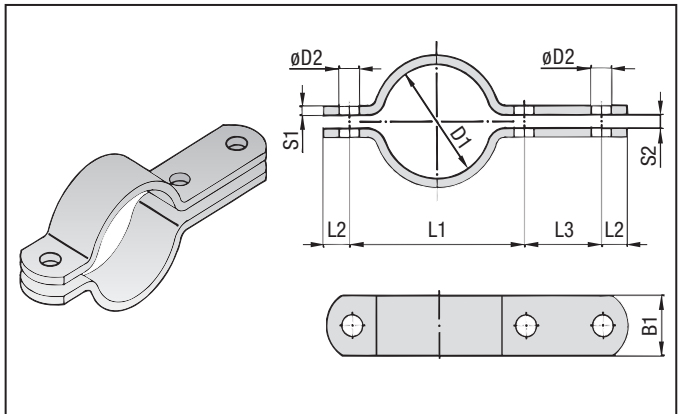
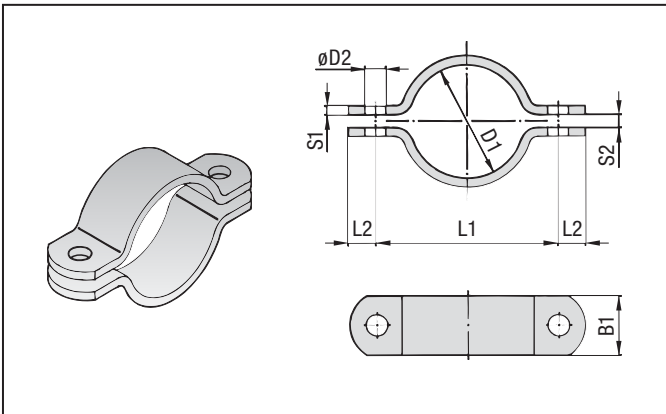


according to **DIN 3567, Type A**

according to **DIN 3567, Type B**



STAUFF Group ØD1	Nominal Size		L1	L2	S1	S2	D2	B1	Accessories Hexagon Head Bolts Hexagon Nuts
	mm	in							
20	15	5/8	2.24	15	5	7	11.5	30	M10 x 30 3/8-16UNC x 1.25
22	15	5/8	2.32						
25	20	3/4	2.44						
27	20	3/4	2.60						
30	25	1	2.68						
34	25	1	2.83						
38	32	1 1/4	2.99						
43	32	1 1/4	3.23						
45	40	1 1/2	3.31						
49	40	1 1/2	3.46	0.59	0.20	0.28	0.45	1.18	
57	50	2	4.09	18	6	9	14	40	M12 x 35 7/16-14UNC x 1.38
61	50	2	4.25						
77	65	2 1/2	4.80						
89	80	3	5.35	0.71	0.24	0.35	0.55	1.57	
108	100	4	6.77	24	8	11	18	50	M16 x 45 5/8-11UNC x 1-3/4
115	100	4	7.01						
133	125	5	7.72						
140	125	5	8.03						
159	150	6	8.74						
169	150	6	9.13						
194	175	7	10.16						
216	200	8	11.02						
220	200	8	11.18	0.94		0.43	0.71	1.97	
267	250	10	13.46	30		14	23	60	
273	250	10	13.70						
318	300	12	15.43						
324	300	12	15.67						
368	350	14	17.48	1.18	0.31	0.55	0.91	2.36	
407	400	16	19.61						
419	400	16	20.08	36	10	18	27	70	M24 x 60 7/8-9UNC x 2-3/8
521	500	20	24.17	1.42	0.39	0.71	1.06	2.76	

STAUFF Group ØD1	Nominal Size		L1	L2	L3	S1	S2	D2	B1	Accessories Hexagon Head Bolts Hexagon Nuts
	mm	in								
20	15	5/8	2.24	15	46	5	7	11.5	30	M10 x 30 3/8-16UNC x 1.25
22	15	5/8	2.32							
25	20	3/4	2.44							
27	20	3/4	2.60							
30	25	1	2.68							
34	25	1	2.83							
38	32	1 1/4	2.99							
43	32	1 1/4	3.23							
45	40	1 1/2	3.31							
49	40	1 1/2	3.46	0.59	1.81	0.20	0.28	0.45	1.18	
57	50	2	4.09	18	54	6	9	14	40	M12 x 35 7/16-14UNC x 1.38
61	50	2	4.25							
77	65	2 1/2	4.80							
89	80	3	5.35	0.71	2.13	0.24	0.35	0.55	1.57	
108	100	4	6.77	24	70	8	11	18	50	M16 x 45 5/8-11UNC x 1-3/4
115	100	4	7.01							
133	125	5	7.72							
140	125	5	8.03							
159	150	6	8.74							
169	150	6	9.13							
194	175	7	10.16							
216	200	8	11.02							
220	200	8	11.18	0.94	2.76		0.43	0.71	1.97	
267	250	10	13.46	30	86		14	23	60	
273	250	10	13.70							
318	300	12	15.43							
324	300	12	15.67							
368	350	14	17.48	1.18	3.39	0.31	0.55	0.91	2.36	
407	400	16	19.61							
419	400	16	20.08	36	104	10	18	27	70	M24 x 60 7/8-9UNC x 2-3/8
521	500	20	24.17	1.42	4.09	0.39	0.71	1.06	2.76	

**ORDER CODE**

**DIN 3567 A - \*\*\***

→ STAUFF Group D1

**MATERIAL AND SURFACE FINISHING**

STAUFF Group 20–521 **W1** carbon steel St37, untreated

Other materials, surface finishings and diameters on request.  
Bolts and nuts do not belong to the delivery standard.

**ORDER CODE**

**DIN 3567 B - \*\*\***

→ STAUFF Group D1

**MATERIAL AND SURFACE FINISHING**

STAUFF Group 20–521 **W1** carbon steel St37, untreated

Other materials, surface finishings and diameters on request.  
Bolts and nuts do not belong to the delivery standard.

\* Consult Factory for Availability