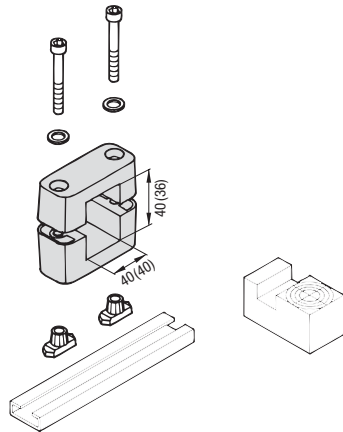


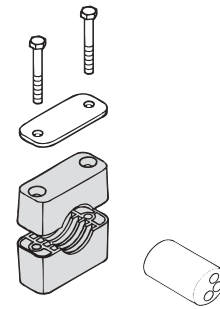
For proximity switches according to DIN EN 60947-5-2 or similar

Proximity switch – **round** construction, 30 mm diameter – fastened with a Group 4 Standard-Series clamp mounted on mounting rail with hexagon rail nuts. Loosening of the bolts provides **axial and horizontal position adjustment**.



For proximity switches according to DIN EN 60947-5-2 or similar

Proximity switch – **rectangular** construction, 40 mm square – fastened with Group 5 Standard-Series clamp mounted on mounting rail with hexagon rail nuts. Loosening of the bolts provides **axial and horizontal position adjustment**.



For clamping of electric cables:
STAUFF-Oval Clamps

Group 6 Standard-Series for cable diameters between 20 and 50 mm.
Group 6 S Heavy-Series for cable diameters between 40 and 72 mm.

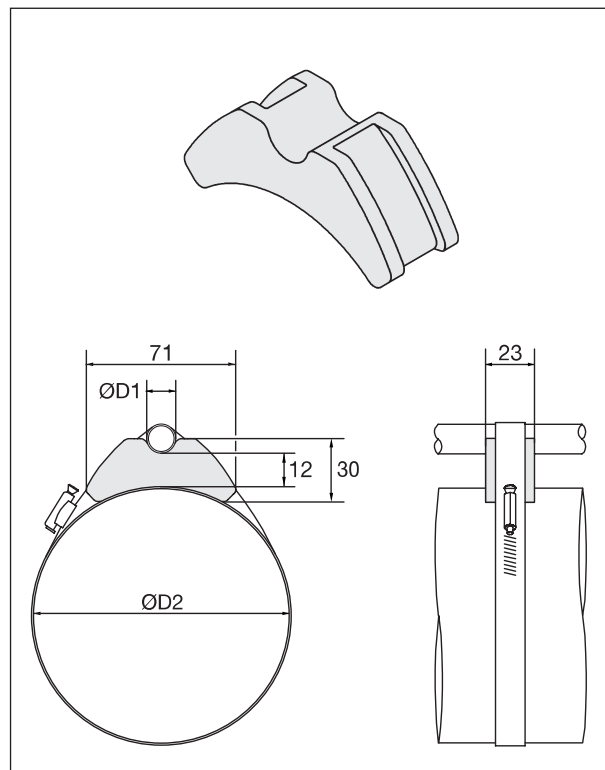
Bolt types:
Standard-Series: Hexagon Head Bolt in conjunction with cover plate. Socket Cap Screw with washer. Slotted Head Screw with washer.
Heavy Series: Hexagon Head Bolt in conjunction with cover plate. For varying cable diameters only the bolt length needs to be varied.

Saddle Clamps For Cylinder Supply Lines (ZR Series)

Material: **Thermoplastic Elastomer (TPE)**
Shore Hardness: **75±5 A**
Color: **Black (Standard)**
Order Code: **ZR 518**

| Outer Diameter of Pipes in mm | | Steel Strap Dimensions in mm | |
|-------------------------------|-----------|------------------------------|-------|
| ØD1 | ØD2 | Length | Width |
| 10 - 22 | 50 - 70 | 196 - 254 | 13 |
| 10 - 22 | 60 - 80 | 225 - 284 | 13 |
| 10 - 22 | 70 - 90 | 254 - 314 | 13 |
| 10 - 22 | 80 - 105 | 284 - 359 | 13 |
| 10 - 22 | 90 - 120 | 314 - 404 | 13 |
| 10 - 22 | 105 - 140 | 359 - 464 | 13 |
| 10 - 22 | 125 - 160 | 419 - 525 | 13 |
| 10 - 22 | 145 - 180 | 479 - 586 | 13 |
| 10 - 22 | 165 - 200 | 540 - 647 | 13 |

Steel Strap is not included in scope of delivery.



Custom-designed saddle clamps according to customer's specifications or based on STAUFF developments are available on request.