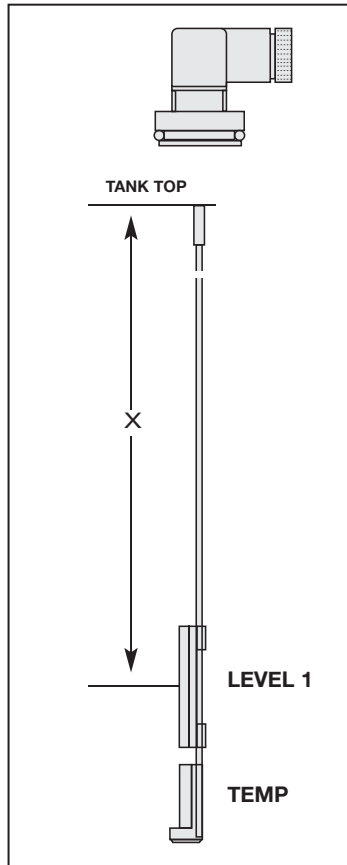


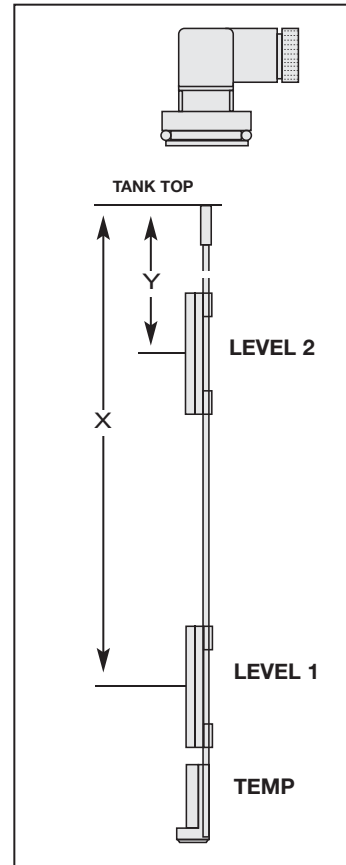
## DIMENSIONS & ORDERING CODE

Standard Factory Settings For Level Switch Position			
	Option 1: Low Level Only (from tank top to switch position)	Option 2: High and Low Level (from tank top to switch position)	
SLTS Type	X (in / mm)	X (in / mm)	Y (in / mm)
SLTS 12	10.5 / 266	10.5 / 266	2.6 / 66
SLTS 18	16.5 / 418	16.5 / 418	2.6 / 66

Option 1



Option 2



DIAGNOSTICS

### Ordering Code

**SLTS 12 - 140 - 2 - B12 - G115**

#### Type

**SLTS** Level-temperature switch

#### Stem Length

<b>12</b>	305 mm (12")
<b>18</b>	457 mm (18")

#### Switching temperature

<b>140</b>	60°C / 140°F
<b>158</b>	70°C / 158°F
<b>O</b>	without temperature switch

#### Voltage (Volt AC/DC)

**G115** 115 Volt max  
(for thread N16 only)

#### Thread

<b>B12</b>	G <sup>3</sup> / <sub>4</sub> (on request)
<b>N16</b>	1 NPT (standard)

#### Number of Level Switches

<b>1</b>	1 level switch (L, H)*
<b>2</b>	2 level switch (L, H)*

\* please indicate level position(s): L = low, H = high