



Flow Control Valves NDRV Series

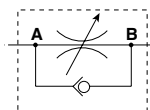
Specifications

- Sizes to 2"
- Carbon Steel Body, Zinc Plated
- 7 PSI Standard Spring Setting
- Viton O-Ring
- Temperature Range: 14°F – 212°F (-10°C – 100°C)
- Working Pressure to 5000 PSI (350 bar)
- Graduated Knob and Color Coded Spindle To Accurately Control Flow
- Set-Screw Located On Side Of Knob To Lock Valve In Position

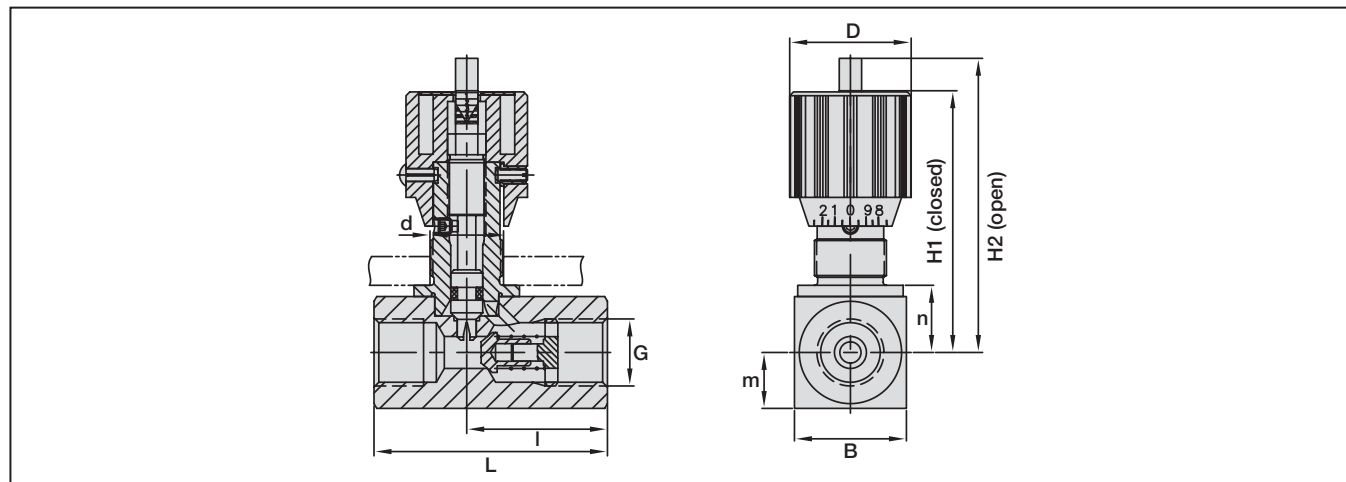


Options

- NPT or SAE Threaded Connection
- Panel Mounting Kit Available (See Page V56)
- Special Seals Available Upon Request
- Special Spring Settings Upon Request



Dimensional Information



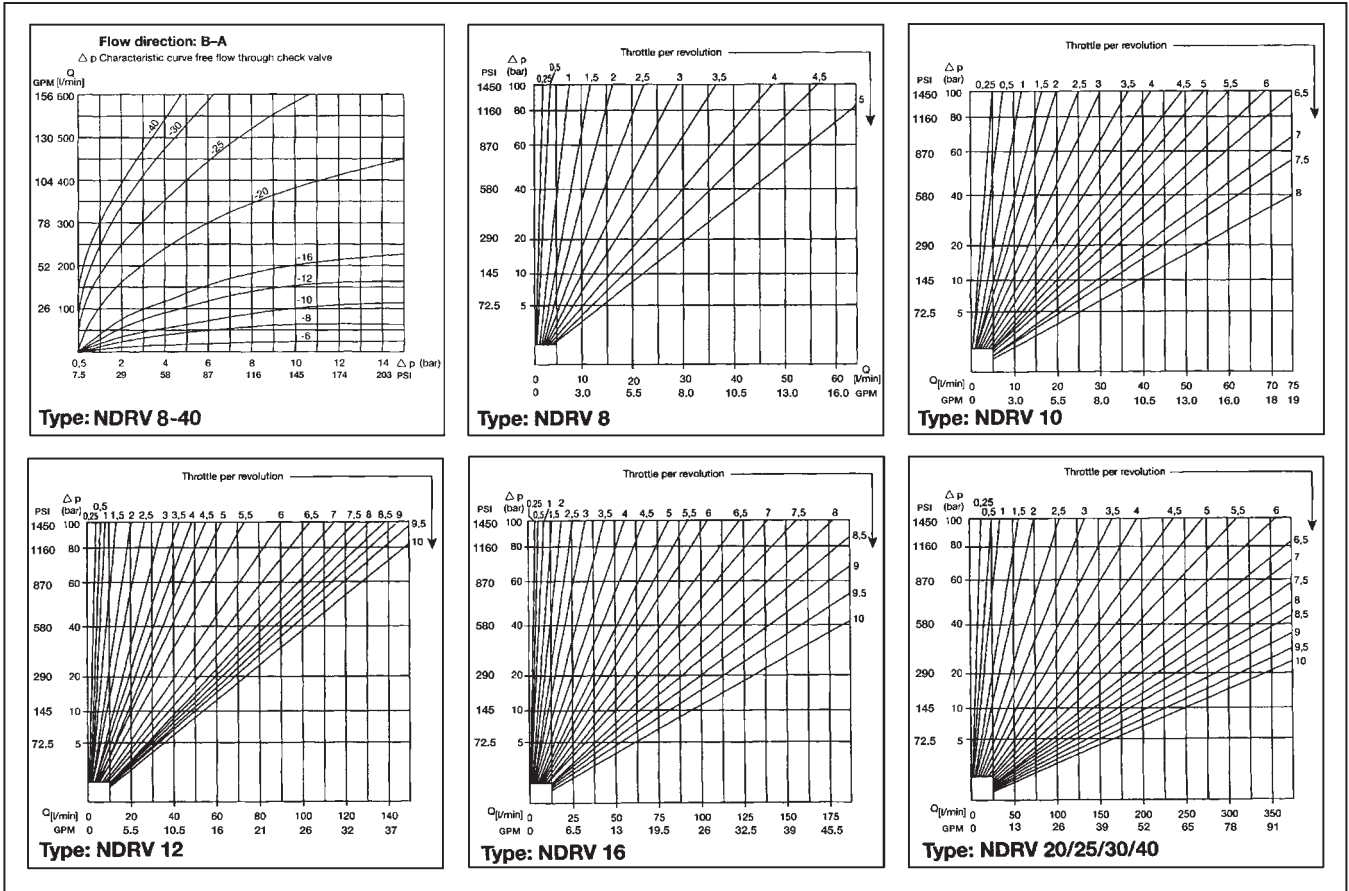
Nominal Size	DN		Port G		Operating Pressure		H2 Open		H1 Closed		m		n		B		I		L		D		d		Weight	
	mm	in	NPT	SAE	BAR	PSI	mm	in	mm	in	mm	in	mm	in	mm	in	mm	in	mm	in	mm	in	mm	in	kg	lbs
NDRV8	8	0.31	¼" NPT	¼"-20	350	5000	71	2.80	65	2.56	12,5	0.49	14,5	0.57	25	0.98	33,5	0.94	55	1.89	29	1.14	19	0.75	0.30	0.66
NDRV10	10	0.39	¾" NPT	¾"-18	350	5000	75	2.95	68	2.68	15	0.59	17	0.67	30	1.18	41	1.14	65	2.28	29	1.14	19	0.75	0.45	0.99
NDRV12	12	0.47	½" NPT	½"-16	350	5000	92	3.62	82	3.23	17,5	0.69	21	0.83	35	1.38	44	1.34	73	2.68	38	1.50	23	0.91	0.80	1.76
NDRV16	16	0.63	¾" NPT	1½"-12	350	5000	106	4.17	96	3.78	22,5	0.89	26	1.02	45	1.77	57	1.54	88	3.07	38	1.50	23	0.91	1.30	2.86
NDRV20	20	0.79	1" NPT	1½"-12	350	5000	149	5.87	132	5.20	25	0.98	30	1.18	50	1.97	77	2.13	127	4.25	55	2.17	38	1.50	2.40	5.28
NDRV25	25	0.98	1½" NPT	1½"-12	350	5000	154	6.06	137	5.39	30	1.18	35	1.38	60	2.36	93	3.66	143	5.62	55	2.17	38	1.50	3.50	7.7
NDRV30	30	1.18	1½" NPT	1½"-12	350	5000	159	6.26	142	5.59	35	1.38	40	1.57	70	2.75	91	3.58	143	5.62	55	2.17	38	1.50	4.60	10.12
NDRV40	40	1.57	2" NPT	2½"-12	350	5000	169	6.65	152	5.98	40	1.57	50	1.97	90	3.55	111	4.37	165	6.50	55	2.17	38	1.50	7.70	16.94



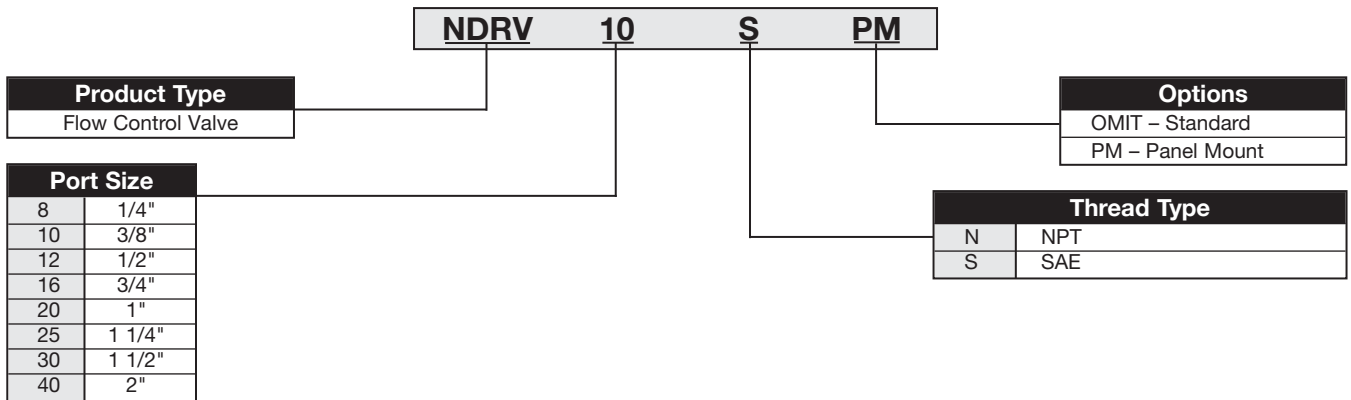
Flow Control Valves NDRV Series

Technical Information

Pressure Drop/Flow Information



Ordering Information

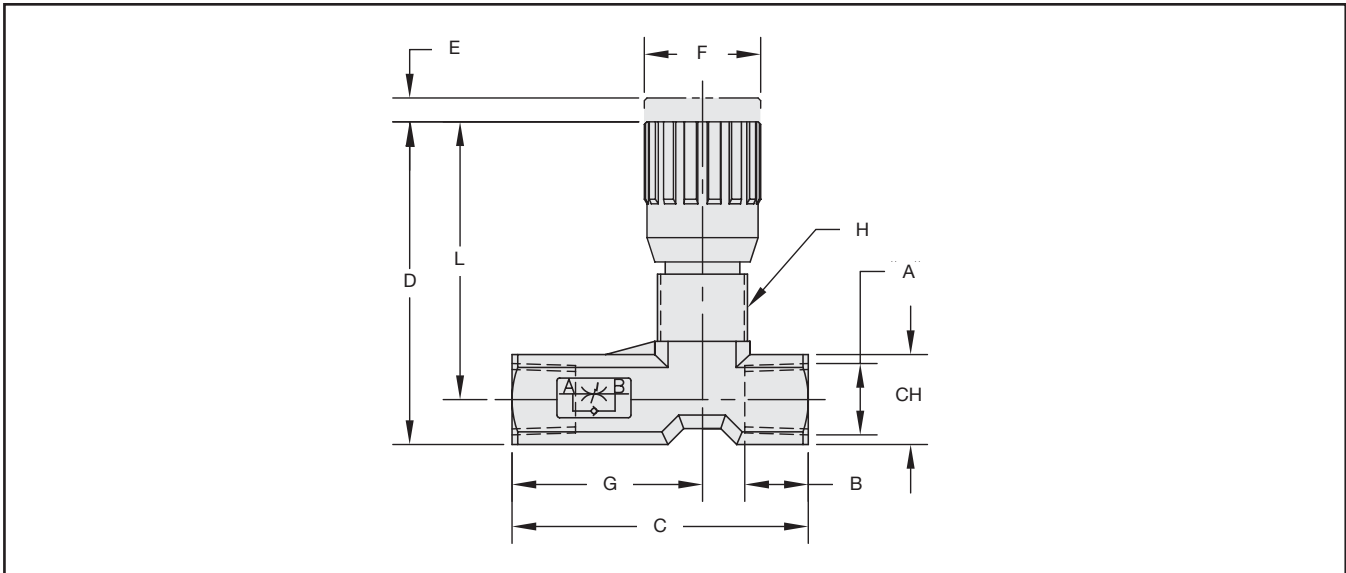
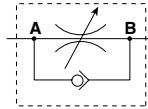


Specifications

- Sizes to 1/4", 3/8" and 1/2"
- NPT or SAE Threads
- Working Pressure 5000 PSI (350 bar)
- Nickel Plated Carbon Steel Body, Stainless Steel Needle
- Flow Setting Can Be Locked With Handle Set Screw
- Stem Seal-Buna With PTFE Back Up Ring
- Temperature range: -30°F to 250°F (-34°C to 121°C)

Options

- VITON Seals
- Panel Mount Lock Nut (See Page V56)
- BSP Ports Available



Dimensions

Part Number	Thread A	B		C		D		E		F		G	H	L		CH		Weight	
		mm	in	mm	in	mm	in	mm	in	mm	in			mm	in	mm	in	kg	lbs
FCH-8N	1/4" NPT	12		56		61		4,5		22		36	M17X1	52,5		17		0.14	
FCH-8S	1/4" SAE		0.47		2.20		2.40		0.18		0.87		1.42		2.07		0.67		0.31
FCH-10N	3/8" NPT	13		64,5		74		7		27		41,5	M20X1	63		22		0.26	
FCH-10S	3/8" SAE		0.51		2.54		2.91		0.28		1.06		1.63		2.48		0.97		0.57
FCH-12N	1/2" NPT	16		87		85,5		10		33		57	M25X1,5	72		27		0.49	
FCH-12S	1/2" SAE		0.63		3.42		3.37		0.39		1.30		2.24		2.83		1.06		1.08