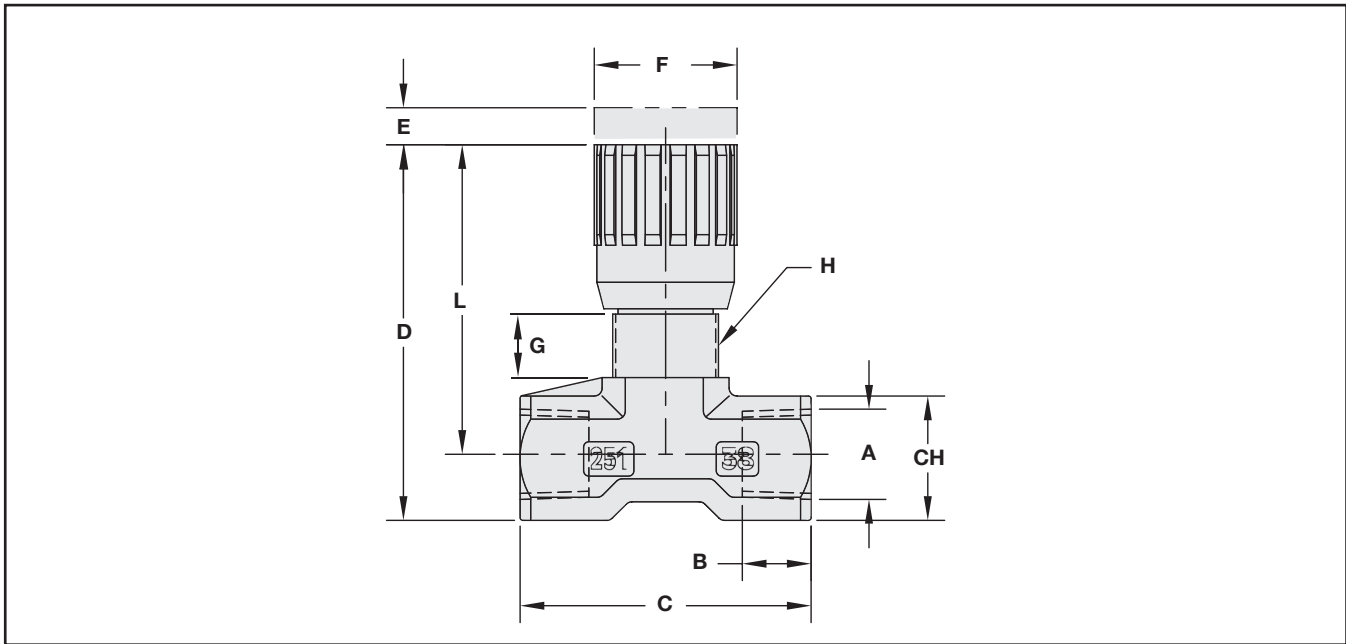
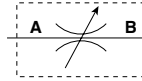


Specifications

- Sizes to 1/4", 3/8" and 1/2" NPT, SAE, and BSP
- Working Pressure 3000 PSI (200 bar)
- Nickel Plated Brass Body, Stainless Steel Needle
- Flow Setting Can Be Locked With Handle Set Screw
- Stem Seal-Buna with PTFE Back Up Ring
- Temperature range: -30°F to 250°F (-34°C to 121°C)

Options

- VITON Seals
- Panel Mount Lock Nut (See Page V56)



Dimensions

Part Number	Thread A	B		C		D		E		F		G		H	L		CH		Weight	
		mm	in	mm	in	mm	in	mm	in	mm	in	mm	in		mm	in	mm	in	kg	lb
NVM-8B	1/4" BSP	12	0.47	46	1.81	57	2.24	4,5	0,18	22	0,87	11,5	0,45	M17X1	11	0,43	17	0,67	0,12	0,26
NVM-8N	1/4" NPT																			
NVM-8S	-4 SAE																			
NVM-10B	3/8" BSP	13	0,51	55	2,17	69	2,72	7	0,28	27	1,06	12,5	0,49	M20X1	15	0,59	22	0,97	0,23	0,51
NVM-10N	3/8" NPT																			
NVM-10S	-6 SAE																			
NVM-12B	1/2" BSP	16	0,63	70	2,76	82	3,23	10	0,39	33	1,30	13	0,51	M25X1,5	19	0,75	27	1,06	0,45	1,0
NVM-12N	1/2" NPT																			
NVM-12S	-8 SAE																			

* Consult factory for delivery on SAE, BSP Threads.