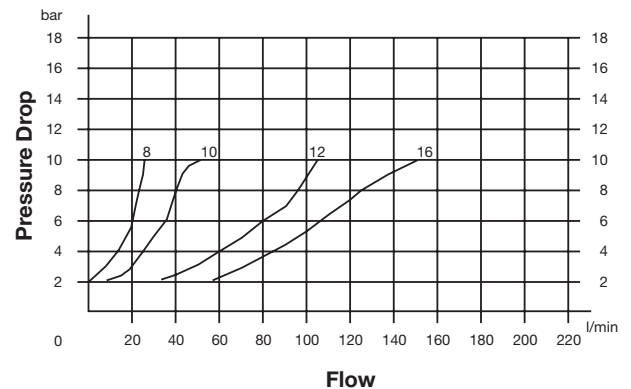
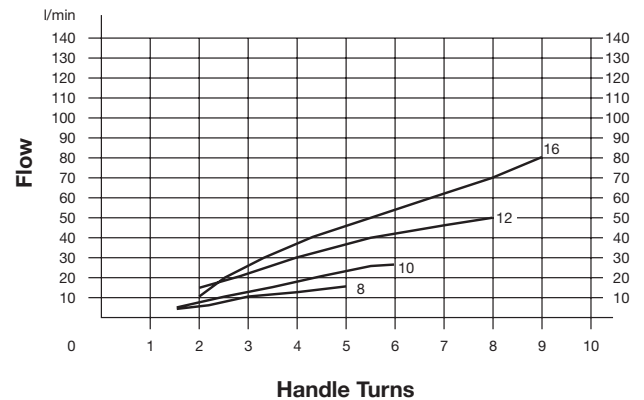
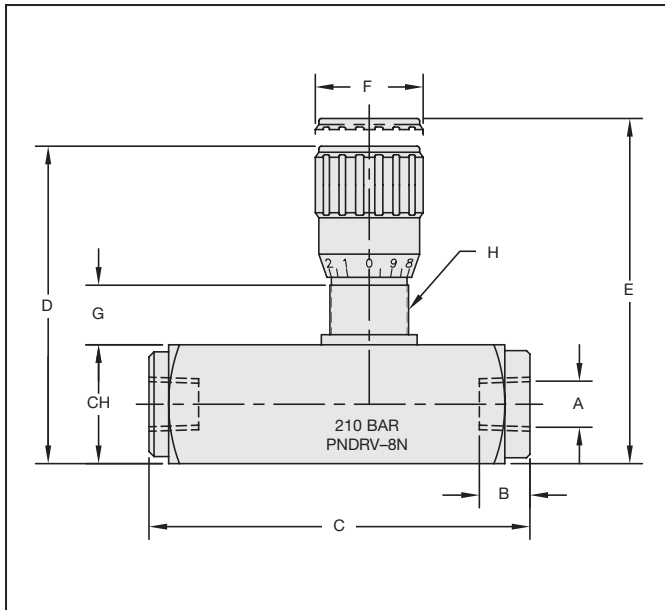
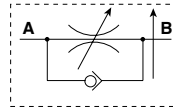


Specifications

- Sizes to 1/4", 3/8", 1/2" and 3/4" NPT
- Working Pressure 3000 PSI (200 bar)
- Carbon Steel Body, Stainless Steel Internal Components
- Stem Seal-Buna With PTFE Back Up Ring
- Temperature range: -30°F to 250°F (-34°C to 121°C)

Options

- VITON Seals
- Panel Mount Lock Nut (See Page V56)



Dimensions

Part Number	Thread A	B		C		D		E		F		G		Thread H	CH		Weight	
		in	mm	in	mm	in	mm	in	mm	in	mm	in	mm		in	mm	lb	kg
PNDRV-8N PNDRV-8S	1/4" NPT SAE-4	0.49	12,5	3.70	94	3.21	81,5	3.48	88,5	1.06	27	0.59	15	M20X1 M20X1	1.18	30	1.28	0.58
PNDRV-10N PNDRV-10S	3/8" NPT SAE-6	0.51	13	4.35	110,5	3.72	94,5	4.06	103	1.30	33	0.67	17	M25X1,5 M25X1,5	1.38	35	2.07	0.94
PNDRV-12N PNDRV-12S	1/2" NPT SAE-8	0.61	15,5	5.39	137	4.41	112	4.80	122	1.50	38	0.71	18	M20X1,5	1.77	45	4.03	1.83
PNDRV-16N PNDRV-16S	3/4" NPT SAE-12	0.67	17	6.42	163	5.43	138	5.91	150	1.85	47	0.94	24	M40X1,5 M40X1,5	2.17	55	7.37	3.35