

## Specifications

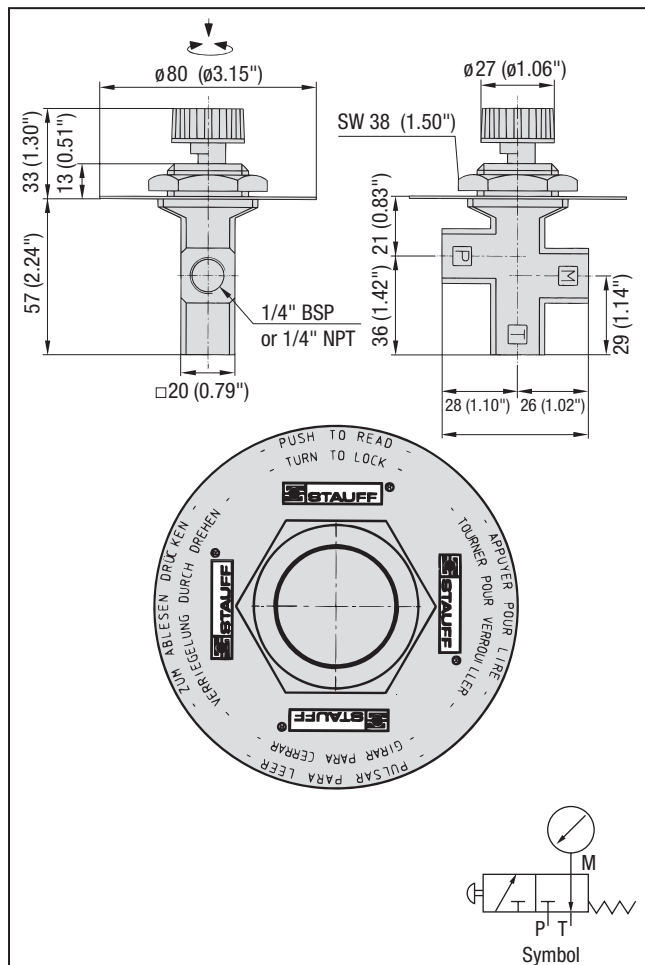
- Working Pressure 5800 PSI (390 bar)
- VITON Seals
- NPT, BSP & SAE Ports
- Temperature range:  
Style S1 and M     -30°F – 240°F  
                              (-22°C – 115°C)
- Protects Gauges From Pressure Surges
- Steel Body
- Tank Drain Port

## Options

- Single Station – S1 Series
- Multi Station – M Series



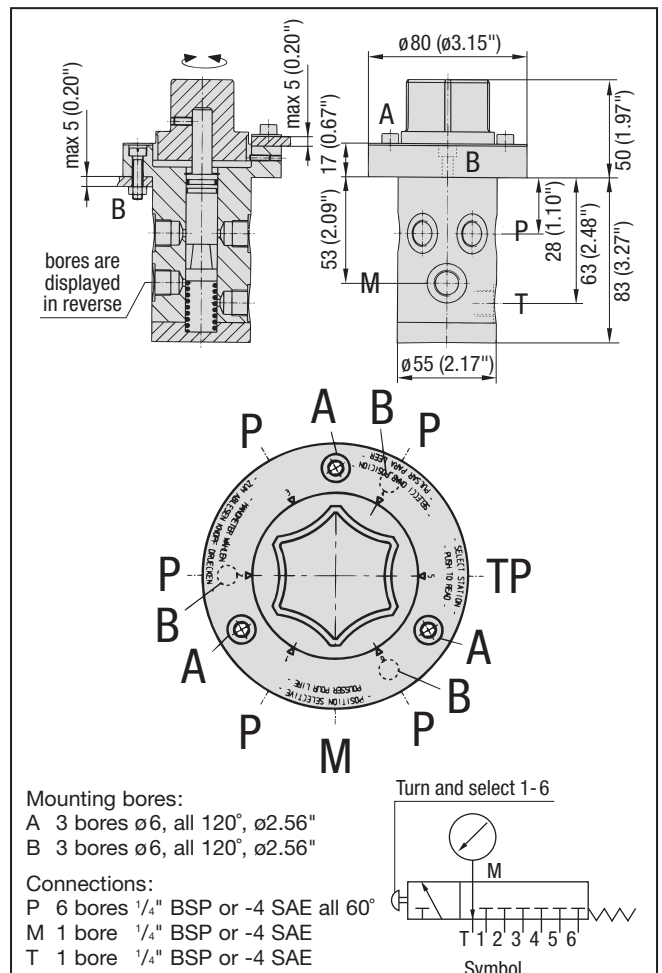
## Single Station Dimensions



Single station gauge isolator valve

Part Number	Connection
SWS-B04-S1	1/4" BSP
SWS-N04-S1	1/4" NPT (Standard)

## 6 Station Dimensions



Multi station gauge isolator valve

Part Number	Connection
SWS-B04-M	1/4" BSP
SWS-U04-M	-4 SAE (Standard)