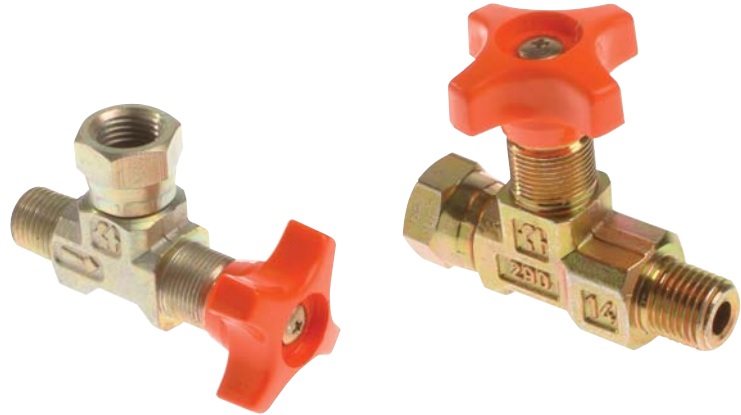


## Specifications

- Sizes 1/4" NPT
- Working Pressure 6000 PSI (400 bar)
- Nickel Plated brass Body
- Stem Seal-Buna With PTFE Back Up Ring

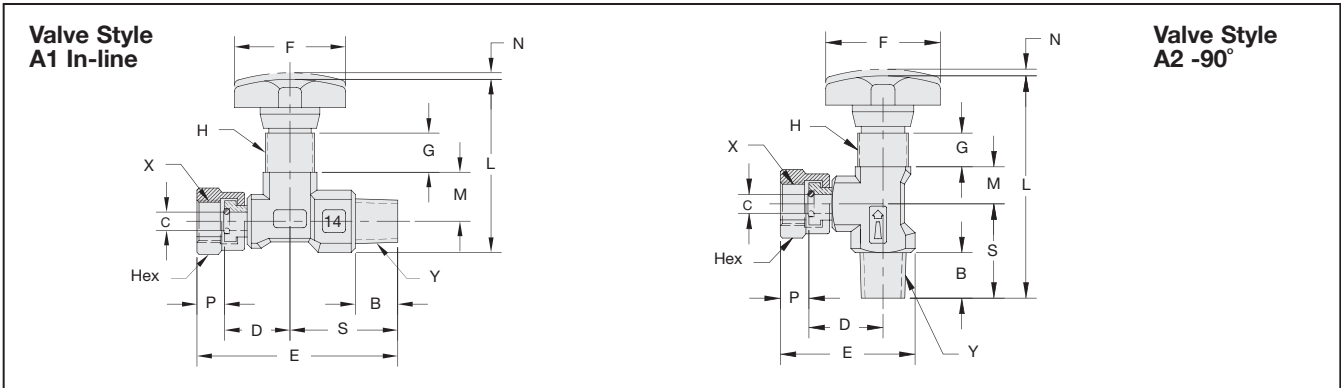
## Options

- In line or 90° Style
- NPT/SAE Version
- Panel Mount Lock Nut



## Dimensions

Thread	Valve Style	Port Female X	Port Male Y	B		C		D		E		F		G		H	L		M		N		P		S		Hex		Weight	
				mm	in	mm	in	mm	in	mm	in	mm	in	mm	in		mm	in	mm	in	mm	in	mm	in	mm	in	mm	in	mm	in
S04	A1	1/4" NPT FEMALE	1/4" SAE MALE	13	5,6	20	61,5	34	12	M15X1	53	15	2	8,5	33	18	0,13													
N04		1/4" NPT	1/4" NPT																											
B04		1/4" BSP	1/4" BSP	0,51	0,22	0,78	2,42	1,34	0,47		2,09	0,59	0,08	0,33	1,30	0,71	0,28													
B04	A2	1/4" BSP	1/4" BSP	13,5	5,6	22	40	34	10	M15X1	66	11	2	8,5	28	18	0,11													
N04		1/4" NPT	1/4" NPT	0,53	0,22	0,87	1,57	1,34	0,39		2,60	0,43	0,08	0,33	1,10	0,71	0,23													



## Ordering Information

**SWS N04 A1**

**Product Type**  
SWS-Gauge Isolator Valve

Thread Type	
N04	1/4" NPT Female - 1/4" NPT Male
S04	1/4" NPT Female - 1/4" SAE Male
B04	1/4" BSP Female - 1/4" BSP Male

Valve Style	
A1	In-line
A2	90° Version

\* Consult factory for delivery on BSP Threads.

NOTE: S04 only available in in-line version