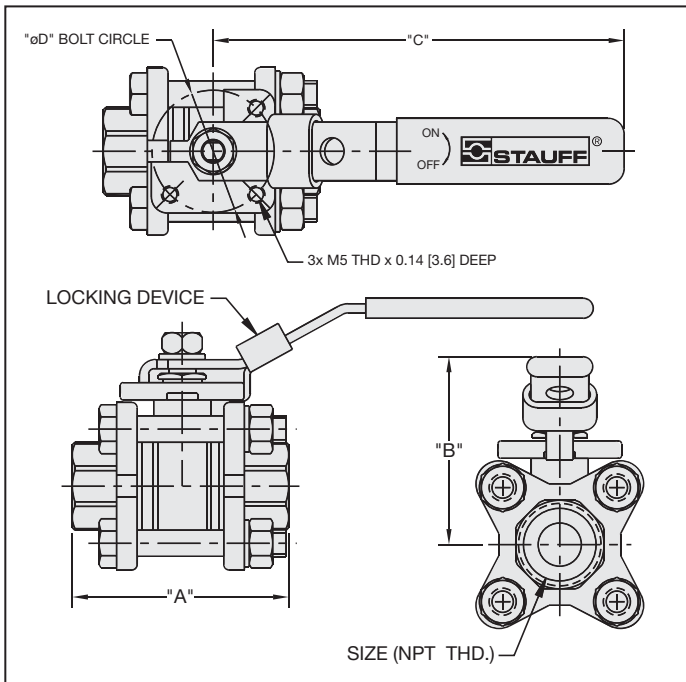


Specifications

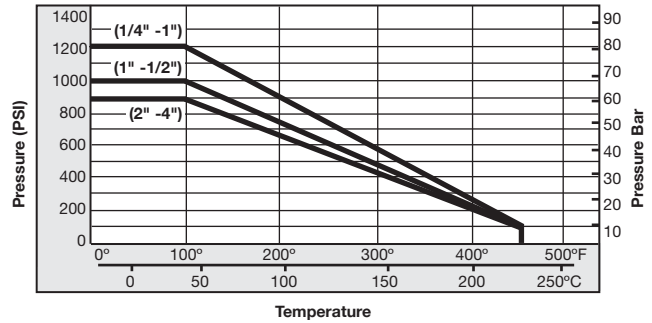
- 3-Piece Body - Tie-Rod Design
- ISO 5211 Standard Actuator Mounting Pad
- Full Port
- Blowout-Proof Stem
- Adjustable Packing Nut
- Locking Handle
- Readily Adapts to Automation
- Floating Ball
- Working Pressure -1000 PSI (69 bar) WOG (See Chart)
- Threads to ANSI B2.1
- Size Range 1/2" to 3"
- Repair Kits in Stock



Dimensional Information



Pressure / Temp. Rating



Inch (mm)

Stauff #	Size (NPT)	A	B	C	D
3BVM20081144C/LD	1/2" NPT	2.76 (70,0)	2.13 (54,0)	5.12 (130,0)	1.42 (36,0)
3BVM20121144C/LD	3/4" NPT	3.35 (85,0)	2.32 (59,0)	5.12 (130,0)	1.65 (42,0)
3BVM20161144C/LD	1" NPT	3.74 (95,0)	2.95 (75,0)	6.10 (155,0)	1.65 (42,0)
3BVM20201144C/LD	1-1/4" NPT	4.33 (110,0)	3.15 (80,0)	6.10 (155,0)	1.97 (50,0)
3BVM20241144C/LD	1-1/2" NPT	5.12 (130,0)	3.35 (85,0)	7.28 (185,0)	2.76 (70,0)
3BVM20321144C/LD	2" NPT	5.91 (150,0)	3.74 (95,0)	7.68 (195,0)	2.76 (70,0)
3BVM20481144C/LD	3" NPT	8.35 (212,0)	5.24 (133,0)	9.84 (250,0)	4.02 (102,0)

Note - Designs and materials are subject to change without notice.