



## Three-Way Valves - CBV Series

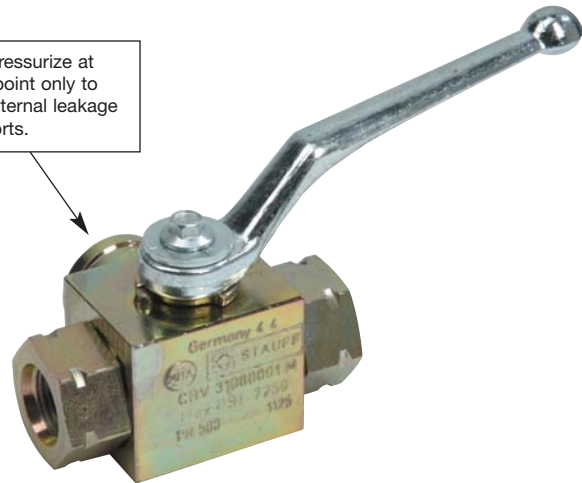
### Specifications

- Compact Diverter Style
- 1/8"– 2" NPT and SAE Connections
- Delrin +MoS<sub>2</sub> Ball Seats
- Viton "O"-Rings
- Pressure Range: Up to 7250 PSI (500 bar)
- Carbon Steel Construction
- Zinc Plated Body
- Temperature Range: -30°F to 212°F (-34°C to 100°C)

### Options

- Locking Device
- Stainless Steel
- Limit Switches
- Actuator Packages Available
- Special Seat and "O"-Ring Available for Higher Temperatures or More Aggressive Media

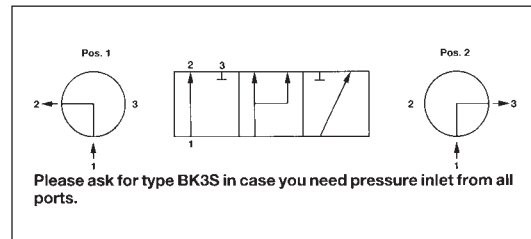
Note: Pressurize at center point only to avoid internal leakage at all ports.



### Technical Information

Item Number	Quantity	Description
1	1	Body
2	1	Stop Pin
3*	1	Stem
4*	1	Thrust Ring
5*	1	Stem O-Ring
6*	1	Stem Back Up Ring
7	1	Ball
8*	2	Ball Seat
9	1	Cam Plate
10	1	Snap Ring
11	2	Connector O-Ring
12	2	Connector
13	1	Handle
14	1	Flow Indicator
15	1	Stem Bolt

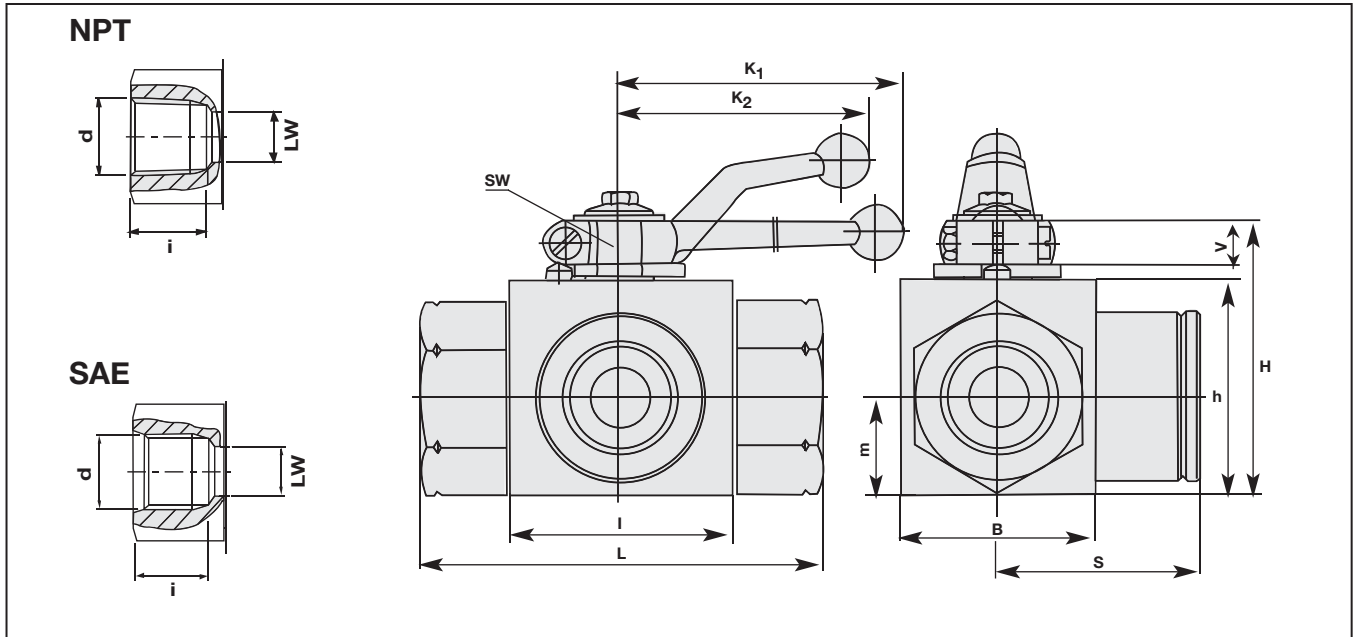
\*Included in Seal Kit



Size		Part Number	Maximum Working Pressure	
			PSI	Bar
1/8"	NPT	CBV30020001M	7250 PSI	500
	SAE	**		
1/4"	NPT	CBV30040001M	7250 PSI	500
	SAE	**		
3/8"	NPT	CBV30060001M	7250 PSI	500
	SAE	**		
1/2"	NPT	CBV30080001M	7250 PSI	500
	SAE	CBV31080001M		
3/4"	NPT	CBV30120001M	5000 PSI	345
	SAE	CBV31120001M		
1"	NPT	CBV30160001M	5000 PSI	345
	SAE	CBV31160001M		
1 1/4"	NPT	CBV30200001M	5000 PSI	345
	SAE	**		
1 1/2"	NPT	CBV30240001M	5000 PSI	345
	SAE	**		
2"	NPT	CBV30320001M	5000 PSI	345
	SAE	**		

\*\* Contact Factory for Availability

## Dimensional Information



Size	d NPT	d SAE	i NPT	i SAE	L NPT	L SAE	LW NPT	LW SAE	I	B	H	h	m	V	S	SW	K1	K2	Wt
			mm in	mm in	mm in	mm in	mm in	mm in	mm in	mm in	mm in	mm in	mm in	mm in	mm in	mm in	mm in	mm in	mm in
1/8"	1/8-27	-	13 0.51		69 2.72		6 0.24		40 1.57	29 1.14	47 1.85	33 1.30	13 0.53	11 0.43	35 1.36	9 0.35	150 5.91	115 4.53	0.66 0.3
1/4"	1/4-18	7/16-20	17 0.67	14 0.55	69 2.72	69 2.72	6 0.24	5 0.20	40 1.57	29 1.14	47 1.85	33 1.30	13 0.53	11 0.43	35 1.36	9 0.35	150 5.91	115 4.53	0.66 0.3
3/8"	3/8-18	9/16-18	18 0.69	15 0.61	78 3.07	72 2.83	10 0.39	10 0.39	43 1.69	35 1.38	52 2.05	38 1.50	18 0.69	11 0.43	36 1.42	9 0.35	150 5.91	115 4.53	0.99 0.5
1/2"	1/2-14	3/4-16	25 0.98	18 0.69	104 4.09	83 3.27	13 0.51	13 0.51	48 1.89	38 1.50	54 2.13	40 1.57	19 0.75	11 0.43	41 1.63	9 0.35	150 5.91	115 4.53	1.21 0.6
3/4"	3/4-14	1 1/16-12	23 0.91	23 0.91	102 4.02	95 3.74	20 0.79	20 0.79	62 2.44	52 2.05	75 2.95	57 2.24	24 0.96	14 0.55	48 1.87	14 0.55	200 7.87	160 6.30	3.30 1.5
1"	1-11 1/2	1 5/16-12	28 1.09	23 0.91	119 4.69	113 4.45	25 0.98	25 0.98	66 2.60	61 2.40	83 3.27	65 2.56	29 1.16	14 0.55	56 2.22	14 0.55	200 7.87	160 6.30	4.84 2.2
1 1/4"	1 1/4-11 1/2	1 5/8-12	28.19 1.11	23 0.91	120 4.72	110 4.33	32 1.26	32 1.26	81 3.19	80 3.15	101 3.98	8 3.15	35 1.36	17 0.65	60 2.36	17 0.67		300 11.81	10.00 4.5
1 1/2"	1 1/2-11 1/2	1 7/8-12	28 1.10	23 0.91	130 5.12	130 5.12	38 1.50	38 1.50	104 4.08	100 3.94	121 4.76	100 3.94	47 1.85	17 0.65	70 2.76	17 0.67		300 11.81	18.00 8.2
2"	2 1/2-11 1/2	2 1/2-12	30 1.19	23 0.91	140 5.51	140 5.51	48 1.89	48 1.89	118 4.65	116 4.57	131 5.16	110 4.33	52 2.05	17 0.65	75 2.95	17 0.67		300 11.81	22.00 10.0

## Ordering Information

**CBV 3 0 12 0 0 0 1 M - LD**

- Product Type**  
CBV - Compact Body 3 Way Diverter Valve
- No. of Ports**  
3
- Connector Style**  
0 - NPT  
1 - SAE
- Body Material**  
0 - Carbon Steel Zinc Plated  
1 - 316 Stainless Steel
- Connector Size**  
02 - 1/8"  
04 - 1/4"  
06 - 3/8"  
08 - 1/2"  
12 - 3/4"  
16 - 1"  
20 - 1 1/4"  
24 - 1 1/2"  
32 - 2"
- Locking Kit**  
LD - Locking Device  
OMIT - No Locking Device
- Manufacturing Code**  
0
- O Ring Material**  
1 - Viton
- Ball Seat Material**  
0 - Delrin
- Ball & Stem Material**  
0 - Carbon Steel  
1 - 316 Stainless Steel