

Specifications

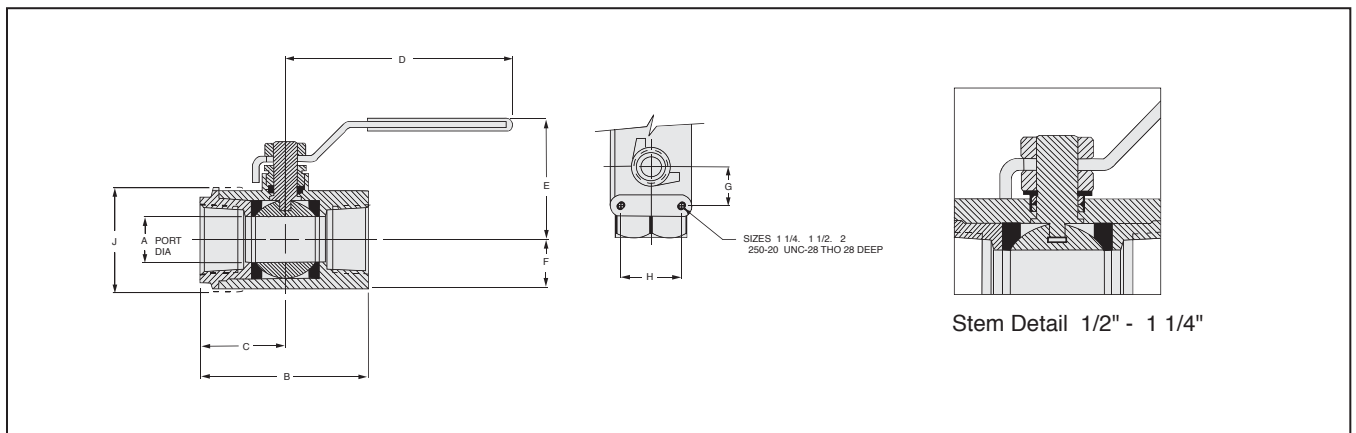
- Hex Body, Medium Pressure
- 2000 PSI (138 bar) Pressure Rating
- NPT Connections
- Zinc Phosphated, Carbon Steel Body
- Chrome Plated Carbon Steel Ball
- Delrin Seats – PTFE Seals



Options

- Lockout Handle

Dimensional Information



Ordering Information

Part Number	Port A	DIA A		B		C		D		E		F		G		H		J	CV	Weight	
		in	mm	in	mm	in	mm	in	mm	in	mm	in	mm	in	mm	in	mm			kg	lbs
2BVM 2004S	1/4" NPT	0.40	10	2.00	51	1.00	25	3.78	96	1.63	41	0.53	13	-	-	-	-	-	6	0.6	0.27
2BVM 2006S	3/8" NPT	0.40	10	2.00	51	1.00	25	3.78	96	1.63	41	0.53	13	-	-	-	-	-	12	0.6	0.27
2BVM 2008S	1/2" NPT	0.54	14	2.37	60	1.12	28	3.78	96	1.73	44	0.63	16	-	-	-	-	-	15	0.8	0.36
2BVM 2012S	3/4" NPT	0.68	17	2.90	74	1.40	36	5.10	130	2.08	53	0.81	21	-	-	-	-	-	23	1.4	0.63
2BVM 2016S	1" NPT	0.88	22	3.41	87	1.65	42	5.10	130	2.30	58	1.00	25	-	-	-	-	-	36	2.4	1.09
2BVM 2020S	1 1/4" NPT	1.00	25	3.94	100	2.00	51	6.10	155	2.76	70	1.13	29	0.94	24	1.50	38	-	44	2.7	1.22
2BVM 2024S	1 1/2" NPT	1.25	32	4.65	118	2.37	60	6.10	155	2.98	76	1.34	34	0.94	24	1.50	38	2.75	70	6.5	2.04
2BVM 2032S	2" NPT	1.50	38	4.98	127	2.57	65	8.60	218	3.54	90	1.52	39	1.03	26	2.00	51	-	114	6.1	2.77

Lock Out Kit

Part No.
2BVM/LD04 (FITS 1/4" - 1/2")
2BVM/LD12 (FITS 3/4" - 1")
2BVM/LD20 (FITS 1 1/4" - 1 1/2")
2BVM/LD32 (FITS 2")