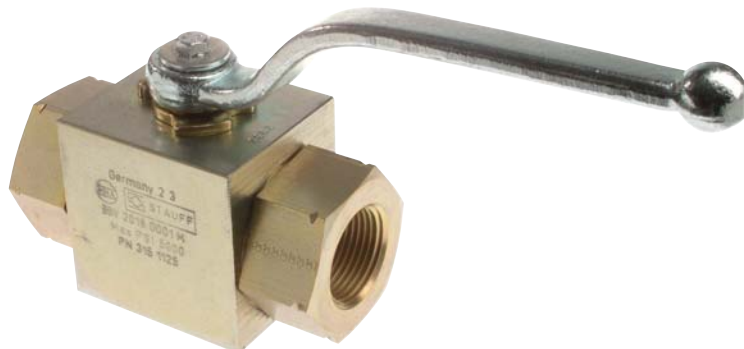




Two-Way Ball Valves - BBV Series

Specifications

- Block Body, High Pressure Shut-off Valves
- 1/8"-1" Fully Ported-(1 1/4" & 1 1/2" with reduced bore)
- NPT, BSP or SAE O-Ring Connectors
- Delrin +MoS2 Ball Seats
- Viton O-Ring
- Pressure Range: Up to 7250 PSI (500 bar) (depending on material combination and size)
- Standard Carbon Steel Construction
- Standard Temperature Range: -20°F to 212°F (-17°C to 100°C)
- Zinc Plated Body
- Hard Chrome Plated Steel Ball



Options

- Locking Kits
- Limit Switch
- Actuator Packages Available
- Straight Handles
- Stainless Steel Body
- Stainless Steel Ball and Stem
- Special seat and "O"-Ring materials available for higher temperatures or more aggressive media.

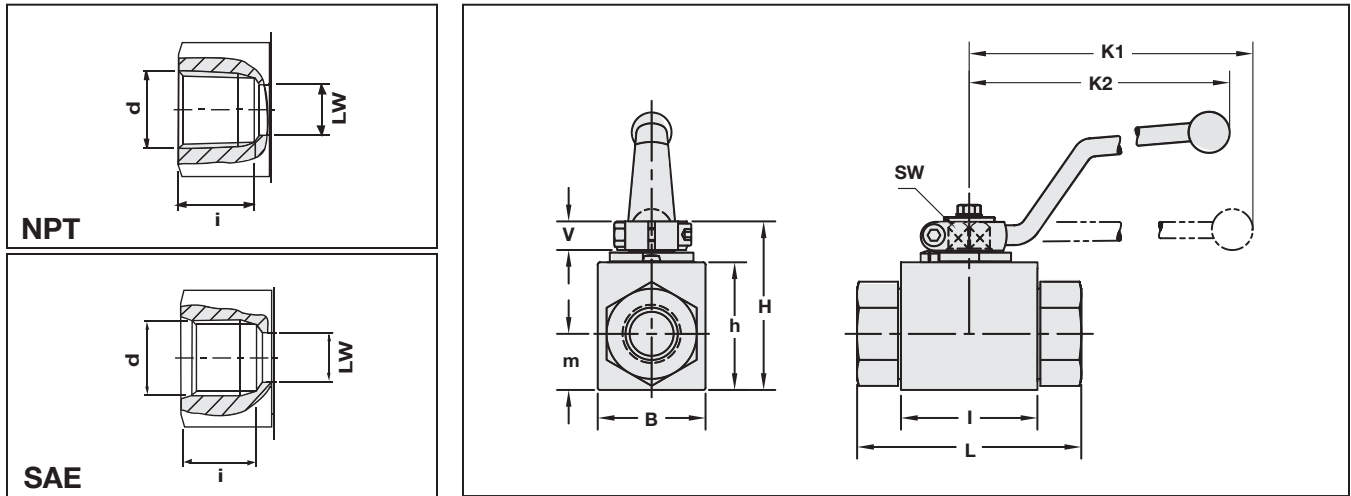
Technical Information

Item Number	Quantity	Description
1	1	Housing
2	1	Ball
3*	2	Seat
4*	2	Connector O-Ring
5	2	Connector
6	1	Stop Pin
7	1	Stem
8*	1	Thrust Ring
9*	1	Stem O-Ring
10	1	Cam Plate
11	1	Snap Ring
12	1	Handle
13	1	Stem Screw
14	1	Flow Indicator

*Included in Seal Kit

Size	Part Number	Maximum Working Pressure		Size	Part Number	Maximum Working Pressure			
		PSI	Bar			PSI	Bar		
1/8"	NPT	BBV20020001M	7250 PSI	500	3/4"	NPT	BBV20120001M	5000 PSI	345
	SAE	BBV21020001M	7250 PSI	500		SAE	BBV21120001M	5000 PSI	345
1/4"	NPT	BBV20040001M	7250 PSI	500	1"	NPT	BBV20160001M	5000 PSI	345
	SAE	BBV21040001M	7250 PSI	500		SAE	BBV21160001M	5000 PSI	345
3/8"	NPT	BBV20060001M	7250 PSI	500	1 1/4"	NPT	BBV20200001M	5000 PSI	345
	SAE	BBV21060001M	7250 PSI	500		SAE	BBV21200001M	5000 PSI	345
1/2"	NPT	BBV20080001M	7250 PSI	500	1 1/2"	NPT	BBV20240001M	3600 PSI	250
	SAE	BBV21080001M	7250 PSI	500		SAE	BBV21240001M	3600 PSI	250

Dimensional Information



Size	d		i		L		LW		I		B	H	h	m	V	SW	K		Weight	
	NPT	SAE	NPT	SAE	NPT	SAE	NPT	SAE	in	mm							in	mm	in	mm
1/8"	1/8-27	-	0.51		2.72		0.24		1.57	1.02	1.85	1.30	0.53	0.43	0.35	9	5.91	4.53	0.50	0.23
			12.95		69.09		6.10		39.88	25.91	46.99	33.02	13.46	10.92	9	150.11	115.06	0.66	0.23	
1/4"	1/4-18	3/8-20	0.67	0.55	2.72	2.72	0.24	0.2	1.57	1.02	1.85	1.30	0.53	0.43	0.35	9	5.91	4.53	0.66	0.30
			17.02	13.97	69.09	69.09	6.10	5.08	39.88	25.91	46.99	33.02	13.46	10.92	9	150.11	115.06	0.66	0.30	
3/8"	3/8-18	3/8-18	0.69	0.61	3.07	2.83	0.39	0.39	1.69	1.26	2.05	1.50	0.69	0.43	0.35	9	5.91	4.53	1.10	0.50
			17.53	15.49	77.98	71.88	10	10	42.93	32.00	52.07	38.10	17.53	10.92	9	150.11	115.06	0.50	0.50	
1/2"	1/2-14	3/4-16	0.98	0.69	4.09	3.27	0.51	0.51	1.89	1.38	2.13	1.57	0.75	0.43	0.35	9	5.91	4.53	1.65	0.75
			24.89	17.53	103.89	83.06	13	13	48.01	35.05	54.10	39.88	19.05	10.92	9	150.11	115.06	0.75	0.75	
3/4"	3/4-14	1 1/8-12	0.91	0.91	4.02	3.74	0.79	0.79	2.44	1.93	2.95	2.24	0.96	0.55	0.55	14	7.87	6.30	3.65	1.66
			23.11	23.11	102.11	95.00	20	20	61.98	49.02	74.93	56.90	24.38	13.97	14	199.90	160.02	1.66	1.66	
1"	1-1 1/2	1 1/8-12	1.09	0.91	4.69	4.45	0.98	0.98	2.60	2.28	3.27	2.56	1.16	0.55	0.55	14	7.87	6.30	5.06	2.30
			27.69	23.11	119.13	113.03	25	25	66.04	57.91	83.06	65.02	29.46	13.97	14	199.90	160.02	2.30	2.30	
1 1/4"	1 1/4-11 1/2	1 1/8-12	1.10	0.91	5.10	5.10	0.98	0.98	2.60	2.28	3.27	2.56	1.16	0.55	0.55	14	7.87	6.30	5.50	2.50
			27.94	23.11	129.54	129.54	25	25	66.04	57.91	83.06	65.02	29.46	13.97	14	199.90	160.02	2.50	2.50	
1 1/2"	1 1/2-11 1/2	1 1/8-12	1.19	0.91	5.20	5.20	0.98	0.98	2.60	2.28	3.27	2.56	1.16	0.55	0.55	14	7.87	6.30	5.75	2.61
			30.23	23.11	132.08	132.08	25	25	66.04	57.91	83.06	65.02	29.46	13.97	14	199.90	160.02	2.61	2.61	

Ordering Information

