



Two-Way Valves BBVF Series - Direct Mount Valve with DIN Flanges

Specifications

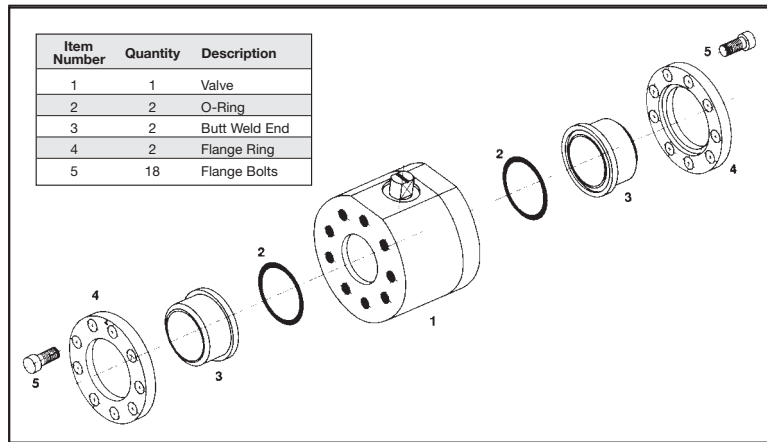
- Direct Mount, High Pressure DIN Flange Design
- 2½" – 5" with Special Flanges for up to 5000 PSI (345 bar)
Working Pressure at a 3:1 Safety Factor
- Temperature Range: -30°F to 212°F
(-34°C to 100°C)
- Carbon Steel Construction
- Removable, Adjustable Steel Handle
- Zinc Plated Body

Options

- Actuator Packages Available
- Limit Switches
- Safety Lock out



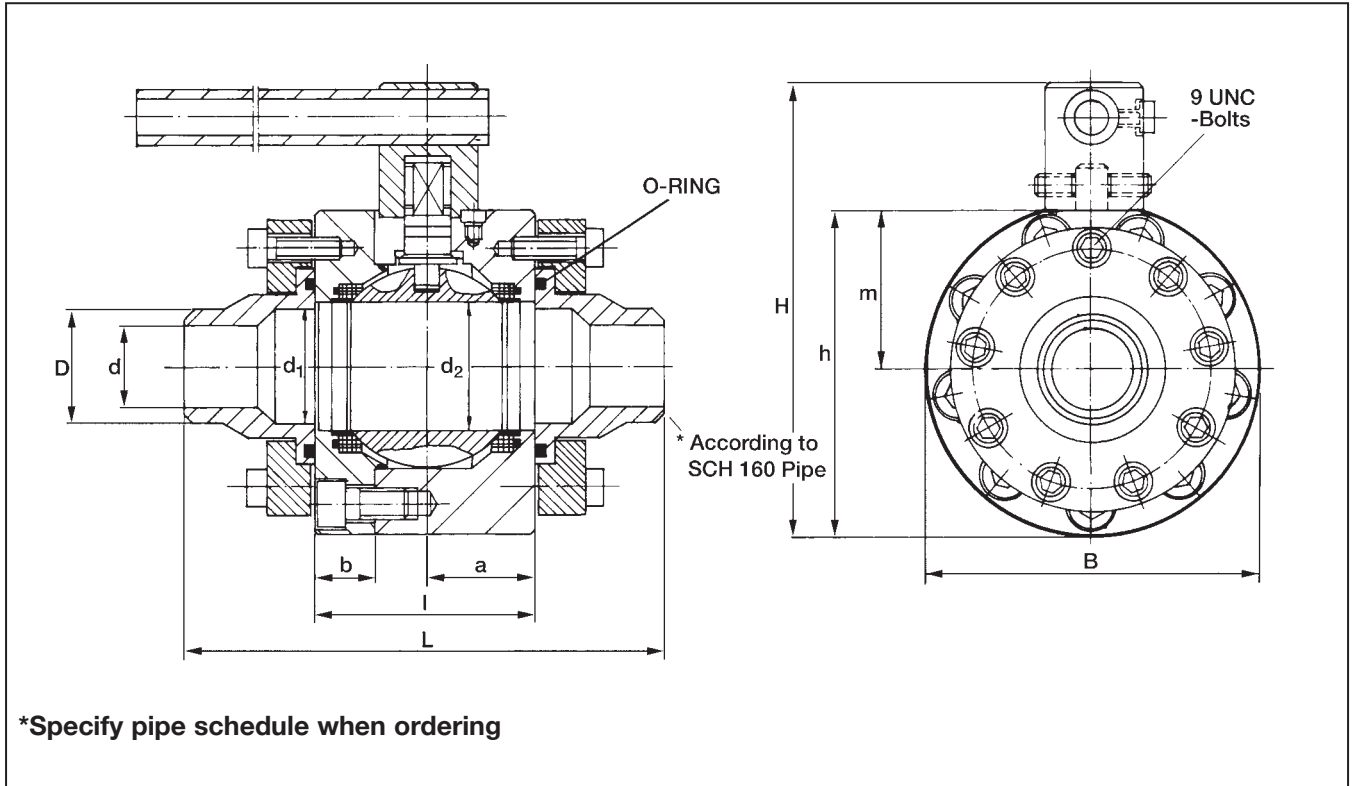
Technical Information



Size	Part Number	Maximum Working Pressure*	
		PSI	Bar
2½"	BBVF27400001M	5000 PSI	345
3"	BBVF27480001M	5000 PSI	345
4"	BBVF27640001M	5000 PSI	345
5"	BBVF27800001M	5000 PSI	345

*Note: With schedule XXS weld ends, consult factory for pressure ratings on schedule 160 weld ends.

Dimensional Information



Size	D	d	d ₁	d ₂	a	b	l	L	H	h	m	B	Screw	WT
	in mm	in mm	in mm	in mm	in mm	in mm	in mm	in mm	in mm	in mm	in mm	in mm		lb kg
2½"	2.87 73	2.13 54	2.37 60	2.48 63	2.95 75	1.69 43	5.91 150	9.84 250	10.16 258	7.60 193	3.70 94	7.80 198	½" x 1½"	84 38.2
3"	3.50 89	2.63 67	3.11 79	2.99 76	2.76 70	1.38 35	5.51 140	10.24 260	10.91 277	8.07 205	3.93 100	8.27 210	¾" x 1¾" (2")	94 42.7
4"	4.50 114	3.44 87	3.86 98	3.93 100	3.35 85	1.77 45	6.69 170	12.99 330	12.83 326	9.88 251	4.80 122	10.16 258	¾" x 1¾"	155 70.5
5"	5.56 141	4.31 106	4.74 120	4.64 118	4.13 105	1.89 48	8.27 210	14.57 370	14.84 377	11.31 287	5.51 140	11.61 295	¾" x 2¼"	257 116.8

Ordering Information

